



Roll-off containers ABR



ABR-DSD
ABR-WD
ABR-LWC
ABR-ECL
ABR-HBS
ABR-HDC

ABR-HBI
ABR-ACTS
ABR-STH
ABR-POP
ABR-PT/PS/PDK
ABR-PAL

Roll-off containers

Company introduction

Position on the market

In our three production plants, we produce more than 2,000 pieces of large-volume containers a year, making us one of the leading manufacturers not only in the Czech Republic, but in the whole of Central Europe. Our customers include not only municipalities and technical services, but also major private companies and global corporations operating in the waste management sector, scrap metal, woodworking, construction and other companies.



Geographical activity

Our customers are located in 14 European countries, so we must be able to meet local standards and respect the customs of individual markets. We most often produce large-volume containers according to the German standard DIN 30722 or the French NF R 17-108.





Customized solutions

Thanks to an individual approach to customers, we supply containers tailored to their needs. Depending on the intended purpose and intensity of use, we recommend a suitable design in order to achieve a suitable ratio between durability, life-time and reasonable acquisition costs.

For a better idea, we would mention the standard design with side reinforcements, lightweight versions made of high-strength steels, or abrasion-resistant sheets for demanding operation (scrap metal, quarries, etc.), stackable or platform design.



Operational adaptations

In order to operatively respond to customer requirements and reduce the time from the first line on the drawing to the final drawings, including 3D models and the start of production, we invested considerable resources in equipping the design office with a modern CAD software system.



Production under control

We maintain a high level of quality thanks to a comprehensive and thorough multi-stage control of individual production phases. Everything is standardized and confirmed by our ISO 9001 certification. Despite the strong competitive environment, our products are thus promoted thanks to their high utility value and quality of workshop processing.



Roll-off containers

ABR-DSD

Classic design with side vertical reinforcements, a universal solution for the transport of various types of materials. Variation of the spacing of the side / floor reinforcements according to the required load, robust upper hem, different types of hook and design of the rear door or flap according to the specific application.

ABR-DSD	standard	option
design	5/3	4/3 3/3
hook	NA 1570/50	NH 1570/50 NH 1570/50
floor x walls connection	VP250 (45/45 st.)	R150 R200 K90
top hem	tube 89x6 S355	tube 114x6 JE 100x80x4
side reinforcement spacing	750 mm	500 mm
sidewall reinforcement profile	U 100x60x3	
floor reinforcement spacing	750 mm	500 mm
floor reinforcement profile	U 100x60x4	
intermediate reinforcement IPN x floor	no	yes
protection C in the rail	yes	no
rear beam	UPN 180	
rolls 2 pcs length 300 mm	tube 159x8	
lubricated roller pin / diameter	40 mm (CR 300/40)	50 mm (CR 300/50)
door closing S-hook	S (type VSH)	Dutch (VNL)
tarpaulin hooks	yes/500 mm/10mm	
ladder (cont. height min. 1500 mm)	yes/left in the direction of travel	
central locking	yes/2-wing (type CE)	





Roll-off containers

ABR-WD

Design with bended W-shaped sides in combination with higher quality sheets (min. S355 and higher), which guarantee min. 40% higher strength than ordinary steel. Robust top hem made of tube min. 114 x 6 mm, rear reinforcements made of high-strength sheets and other improvements guarantee high strength and long life. The various characteristics of the materials used make it possible to choose the ideal combination with regard to the economy of operation, the service life of the container and its price.

ABR-WD	standard	option
design	5/3	4/3 3/3
hook	NA 1570/50	NH 1570/50 NH 1570/50
floor x walls connection	ca R150	
top hem	Tube 114x6 S355	
spacing of side reinforcements	without reinforcements	1x in the middle, vertically
floor reinforcement spacing	500 mm	
floor reinforcement profile	U 100x60x4	
intermediate reinforcement IPN x floor	no	yes
protection C in the rail	yes	no
rear beam	UPN 180	
rolls 2 pcs length 300 mm	tube 159x8	50 mm (CR 300/50)
lubricated roller pin / diameter	40 mm (CR 300/40)	
door closing S-hook	Dutch (VNL)	S (type VSH)
tarpaulin hooks	yes/500 mm/10mm	
ladder (cont. height min. 1500 mm)	yes/left in the direction of travel	
central locking	2-wing (type CE)	





Roll-off containers

ABR-ECL



The design of ABR-ECL containers is especially suitable for the transport of wood and other biodegradable waste. This design will be appreciated by customers who want to differentiate themselves from their competitors and have the opportunity to use large areas for their advertising. As with other versions, the strength of the container depends on the strength of the material and its quality. Therefore, we discuss the needs of each customer in advance and propose a tailor-made solution.

ABR-ECL	standard	option
design	5/3	4/3
material	S355	S355
hook	NA 1570/50	NH 1570/50
floor x walls connection	R110	
top hem	steel 100x100x4 S355	tube 114x6 S355
floor reinforcement spacing	750 mm	
intermediate reinforcement IPN x floor	no	yes
protection C in the rail	yes	no
rear beam	UPN 180	
rolls 2 pcs length 300 mm	tube 159x8	
lubricated roller pin / diameter	40 mm (CR300/40)	50 mm (CR 300/50)
door design	2-wing	
door closing S-hook	S (type VSH)	Dutch (VNL)
roof	no	roof roulante
tarpaulin hooks	yes/500 mm/10 mm	
ladder (cont. height min. 1500 mm)	yes/left in the direction of travel	
central locking	yes/2-wing (type CE)	
double closing	no	yes
dimensions	6000/6500/7000	
height	1250/1500/1750/2000/2250/2400	
width	2300	



Roll-off containers

ABR-LWC



Very light containers designed primarily for transport with longer collection distances. The thinner wall strength of the used sheets for walls and floor is compensated by the high strength of the materials used, which have up to 4 times higher tensile strength than ordinary steel. Thanks to this combination, we can reduce the weight of a typical 36 m³ container by about 800-1000 kg. On the truck, our customers will transport up to 2,000 kg more material, which represents a significant saving in transport costs and negative effects on the environment.



ABR-LWC	standard	option
design	3/2	
material	bottom HARDOX 400 / walls STRENX 700	
hook	NA 1570/50	NH 1570/50
floor x walls connection	VP150 (45/45 st.)	
top hem	Bent profile STRENX 700	
renfort lateral	1 x horizontal profile	
floor reinforcement spacing	1000 mm	
protection C in the rail	yes	no
rear beam	UPN 180	
rolls 2 pcs length 300 mm	tube 159x8	
lubricated roller pin / diameter	40 mm (CR 300/40)	50 mm (CR 300/50)
door design	2-wing	
door closing S-hook	S (type VSH)	Dutch (VNL)
tarpaulin hooks	yes/500 mm/10mm	
ladder (cont. height min. 1500 mm)	yes/left in the direction of travel	
central locking	yes/2-wing (type CE)	



Roll-off containers

ABR-STH



The containers are designed for the transport of rubble, soil and other materials. With the help of the hook carrier, the containers can be easily stacked and thus several containers can be transported together. They are equipped with a 2-wing door or a folding ramp, which is suspended by 2 strong springs for easy closing.

ABR-STH	standard	option
design	6/4	5/4
hook	NS 1570/60	NS 1570/50
floor x walls connection	VP250 (45/45 st.)	
top hem	steel 100x80x6 S355	
side reinforcement spacing	750 mm	
sidewall reinforcement profile	U 100x60x4	
floor reinforcement spacing	750 mm	
floor reinforcement profile	U 100x60x4	
intermediate reinforcement IPN x floor 5 mm	yes	
protection C in the rail	yes	no
rear beam	UPN 180	
rolls 2 pcs length 300 mm	tube 159x8	
lubricated roller pin / diameter	40 mm [CR 300/40]	50 mm [CR 300/50]
door design	flap (KLP) 500 mm	2-wing(closing VSH)
tarpaulin hooks	yes/300 mm/10 mm	
extra floor beams	no	yes 80x60x4



Roll-off containers

ABR-HBI



Containers specially designed for extremely demanding conditions of scrap companies. Higher initial investment versus much longer life. The floor is made of 1 piece without connection, the sides of the container, the front, the door and the top hem are made of HARDOX 450. Containers with an internal height of 2400 mm have the sides reinforced with horizontal reinforcement from high-strength DOMEX 650.

Scrap containers often suffer during loading due to the impact of sharp and heavy pieces of iron. Over time, cracks form on the walls and floor. This phenomenon has no chance with HBI containers.



ABR-HBI	standard	option
design	5/4 HARDOX 450	4/3 HARDOX 450
hook	NA 1570/60	NA 1570/50
top hem	3 mm HARDOX 450	
floor reinforcement spacing	500 mm	
floor reinforcement profile	U 100x60x4	
protection C in the rail	yes	no
rear beam	UPN 180	
rolls 2 pcs length 300 mm	tube 159x8	
lubricated roller pin / diameter	40 mm (CR 300/40)	50 mm (CR 300/50)
door design	2-wing	
door closing S-hook	S (type VSH)	Dutch (VNL)
roof	not	rolling tarpaulin
tarpaulin hooks	yes/500 mm/10mm	
ladder (cont. height min. 1500 mm)	yes/left in the direction of travel	
central locking	yes/2-wing (type CE)	



Roll-off containers

ABR-HBS



Designed for the transport of building rubble and aggregates. The containers are structurally designed with regard to maximum resistance in harsh conditions. They are made of high-strength and abrasion-resistant steel (HB 400/450), solid upper hem of QSTE.

For easy emptying, equipped as standard with a robust raised flap with massive locking. On request, we supply containers with a hydraulically operated flap. The raised front, which is also made of high-strength steel, protects the vehicle's cab in the demanding conditions in which this type of container is most often used.



ABR-HBS	standard	option
design	4/4 HARDOX 450	5/5 HARDOX 450
hook	NH 1570/60	NH 1570/50
top hem	5 mm/Qste 690	
floor reinforcements	longitudinal with rails	
floor reinforcement profile	U 100x70x5	
protection C in the rail	yes	no
rear beam	UPN 180	
rolls 2 pcs length 300 mm	tube 159x8	
lubricated roller pin / diameter	40 mm [CR 300/40]	50 mm [CR 300/50]
door design	raised (KLZ)	
tarpaulin hooks	yes/500 mm/10 mm	



Roll-off containers

ABR-HDC



The ABR-HDC range has similar features and design to the ABR-HBS range. The main difference lies in the different shaping of the container profile. These containers are extremely durable thanks to their strength and abrasion-resistant materials. Hardox floor 6 mm as standard, side walls and flap made of Hardox 4 mm. Standardly equipped with a raised flap with the possibility of mechanical or pneumatic locking to add.



ABR-HDC	standard	option
design	6/4	8/6
hook	NH 1570/60	
top hem	5 mm/Qste 690	
floor reinforcements	longitudinal with rails	
floor reinforcement profile	U 150x50x5 S355	
protection C in the rail	yes	no
rear beam	U 400x70x8 S355	
rolls 2 pcs length 300 mm	tube 159x8	
lubricated roller pin / diameter	50 mm (CR 300/50)	
door design	flap KLHDC	
tarpaulin hooks	no	yes



Roll-off containers

ABR-ACTS



ACTS (short for German Abroll-Container-Transport-System) is a transport system for combined road-rail transport. Within this system, special containers are used, which are transported on special railway wagons or on automobile carriers. The containers are manufactured according to strict technical standards and tested in specialized testing laboratories directly on the railway.

ACTS containers are transported by rail on four-axle platform wagons, which allow the simultaneous transport of up to three containers. The containers themselves are then placed on rotating carriers.



ABR-ACTS	standard	option
design	5/3 S355	
hook	NS 1570/50	NS 1570/60
floor x walls connection	R200	
top hem	tube 89x6 S355	
side reinforcement spacing	750 mm	500 mm
sidewall reinforcement profile	U 120x60x3 S355	
floor reinforcement spacing	750 mm	500 mm
floor reinforcement profile	U 120x60x4	
intermediate reinforcement IPN x floor	no	yes
rear beam	UPN 180	
rolls 2 pcs length 200 mm	tube 159x8	
lubricated roller pin / diameter	40 mm (CR 200/40)	
door design	2-wing	flap
roof	no	rolling tarpaulin
tarpaulin hooks	yes/500 mm/10mm	
ladder (cont. height min. 1500 mm)	yes/left in the direction of travel	
central locking	yes/2-wing	



Roll-off containers

ABR-POP, ABR-PAL, ABR-PT/PS/PD



ABR-POP



ABR-PS - steel floor



ABR-PD - wooden floor



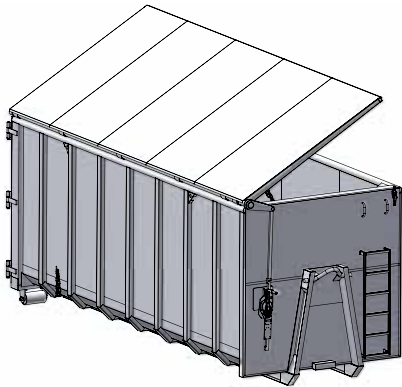
ABR Design



Types of roofs

Types of roofs

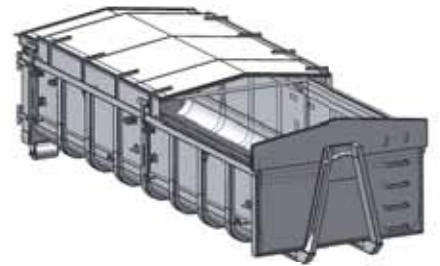
Mechanically lifted roof
SMP, SML



Hydraulically lifted roof
SHP, SHL



Sliding roof SPP, SPL



Two-piece lifted roof SDH



Rolling tarpaulin PRT



Fixed roof SFX



Double-side lifted roof DVS



ABR Design

Types of hook



Types of hook

NA 1570/50 | NA 1570/60



NL 1450/50



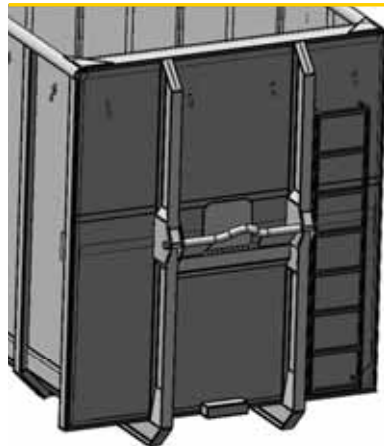
NT 1425/50; 60 | NT 1450/50; 60



NS 1570/50 | NS 1570/60



NII 1570/50 | NH 1570/60



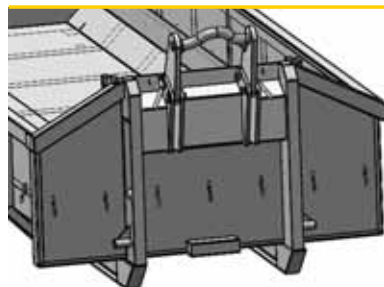
NTA 1425/50; 60 | NTA 1450/50; 60



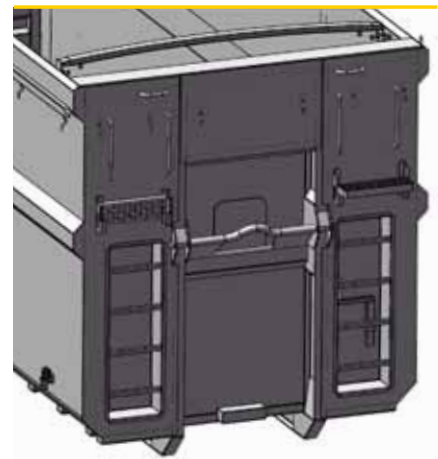
NA 1425/50 | NA 1450/50



NS 1570/50 | NS 157/60 for STH



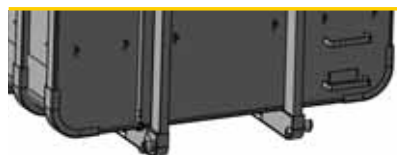
HNT 1570/50; 60



NR



NL - rope



ABR design

Door or flap design



Door or flap design

VSH (S-hook)



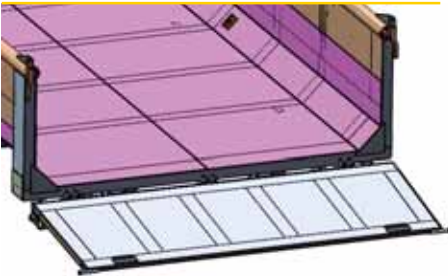
VNL (Dutch)



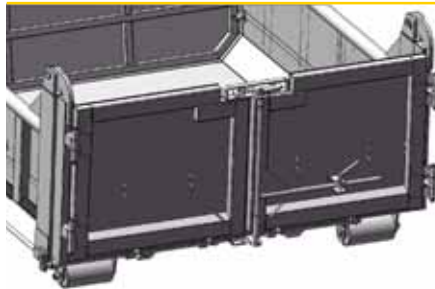
KLZ (raised flap)



KLP (run-over flap door)



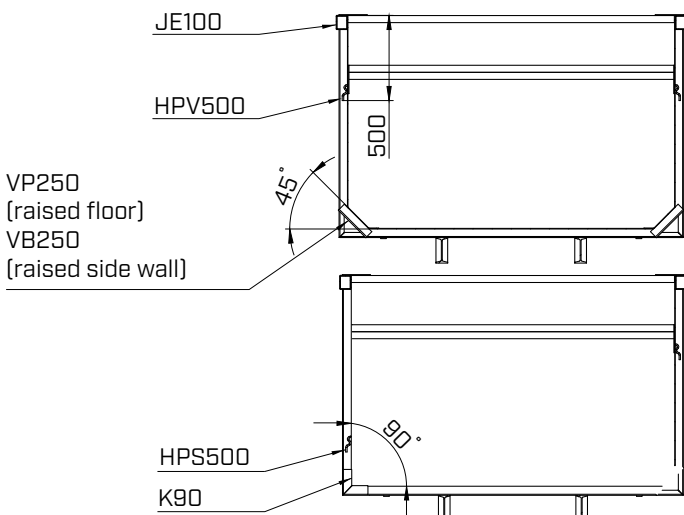
KLF (French flap incl. door)



VLP (flag door)



Floor x side connection



TR114, TR89 (standard)

Ø114/89

R150, R200



ELKOPLAST CZ, s.r.o.

Štefánikova 2664
760 01 Zlín
Czech Republic

e-mail: elkoplast@elkoplast.cz
tel.: +420 575 571 000

